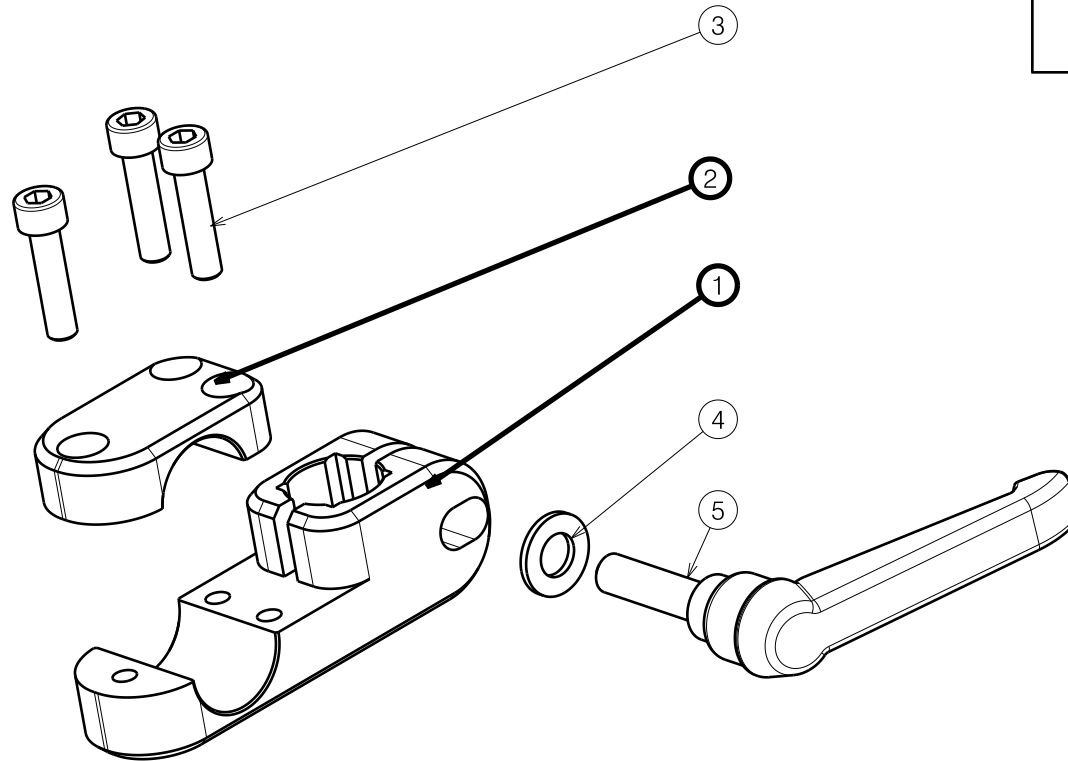



Material			
No.	Plan	Article	Quantity
1	XP01417	2706799	1
2	XP01418	2706899	1
3	---	1001494	3
4	---	1001554	1
5	---	1005860	1
6*	---	3990054	1

* not depicted



EP00216 / C

UNIVERSAL ALU CLAMP				Plan No.
				EP00216/ C
Scale: 2:3	Drafted	Verified	Confirmed	
Date	06/04/2016	21/11/2016	21/11/2016	
Initials	KR	MK	TK	