

Only left side depicted

Replaces old version E000635

E000810 / M

LEGREST BZ7/BZ8 TYPE V-SERIES 2012

Sheet 1/2

Plan No. / Plannr.

E000810 / M

Scale / Schaal: 1:4	Drafted / Getekend	Verified / Nagezien	Confirmed / Bevestigd
Date / Datum	13/07/2012	03/07/2020	03/07/2020
Init. / Init.	JG	SD	PJ



Material							
No.	Plan	Article	Quantity	No.	Plan	Article	Quantity
1	X001016	1001682	1	29	X005046	1777100	1
2	X001119	1001554	2	30	X005047	1908420	1
3	X004417	1719200	1	31	X005055	1908419	1
4	X004570	1904646 (L)	(39-42) 1	32	Y016499	F006269 (BZ8)	1
	X004571	1904647 (R)	(39-42) 1		Y017321	F006420 (BZ7)	1
	X004457	1904475 (L)	(44-46) 1	33	Y016501	1733500	1
	X004453	1904210 (R)	(44-46) 1	34	Y018551	1771654 (L)	1
	X004572	1904648 (L)	(48-50) 1		Y018552	1771554 (R)	1
	X004573	1904649 (R)	(48-50) 1	35	Y018568	1771754	1
5	X004464	1904212	1	37	M6x16 DIN912	1001492	2
6	X004465	1904213	1	38	M6x25 DIN912	1001494	2
7	X004658	1904968	1	39	M6x35 DIN912	1001496	1
8	X004660	1905195	1	41	M6 DIN125A	1001564	1
9	X004665	1905744	1	42	M8 DIN127A	1001570	1
10	X004666	1905731	1	44	M5 DIN985	1001679	1
11	X004687	1905639	1	45	M6 DIN985	1001680	3
12	X004690	1905735	1	46	M6x40DIN912	1003909	2
13	X004692	1906013	1	48	M6x50 DIN912	1007970	2
14	X004701	1905737 (L)	1	49	M6x12mm	1008492	3
	X004710	1905738 (R)	1	50	---	1008674	1
15A	X004713	1905734	1	51	M6 Type RT	1905500	2
15B	Y021864	F007208	0.5	52	M6x25 Type KT	1905501	2
16	X004733	1905733 (M)	(46-48-50) 1	53	Ø4x24 DIN6325	G0409	1
	X004785	1905949 (S)	(39-42-44) 1	54	---	1905642	1
17	X004735	1905732	1	56	M8x25	1990501	1
18	X004736	1905736	2	57A	M5x10 DIN7991	1999977	2
19	X004739	1905739	1	57B	Ø3.9x16 DIN7982	1005767	2
20	X004742	1739500	2	58	X005025	1772000	1
21	X004744	1737100	1	59	M6x16 DIN7991	1994752	2
22	X004773	1905885	1	60	X004423	1717300	1
23	X004784	1905950	1	61	M5 DIN125	1001550	2
24	X004787	1905947	1				
25	X004795	1905970	2				
26*	X004911	1907230 (S)	1				
	X004912	1907232 (M)	1				
27	X005028	1772100	1				

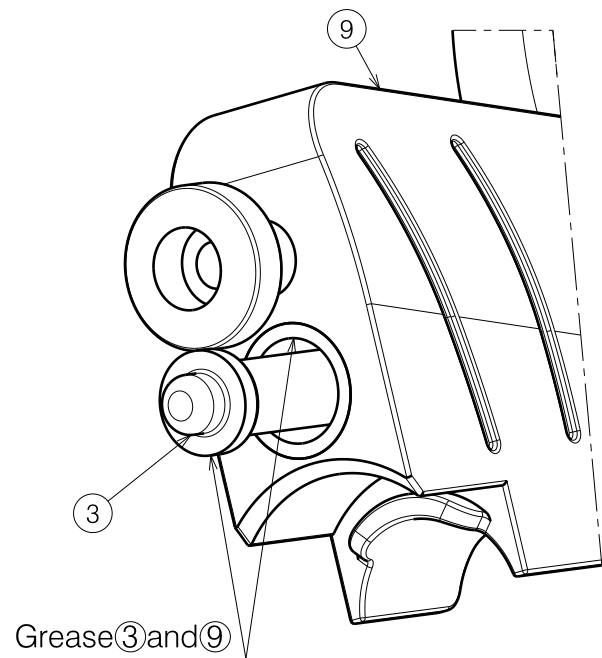
Option A: Knee protector PU

Option B: Knee protector V40

* Calf rest cushions are optional

Option B complete:

E001015, art. 1912112



Grease ③ and ⑨

Replaces old version E000635

LEGREST BZ7/BZ8 TYPE V-SERIES 2012

Sheet 2/2

Plan No. / Plannr.

E000810 / M

Scale / Schaal: 1:4	Drafted / Getekend	Verified / Nagezien	Confirmed / Bevestigd
Date / Datum	13/07/2012	03/07/2020	03/07/2020
Init. / Init.	JG	SD	PJ



E000810 / M