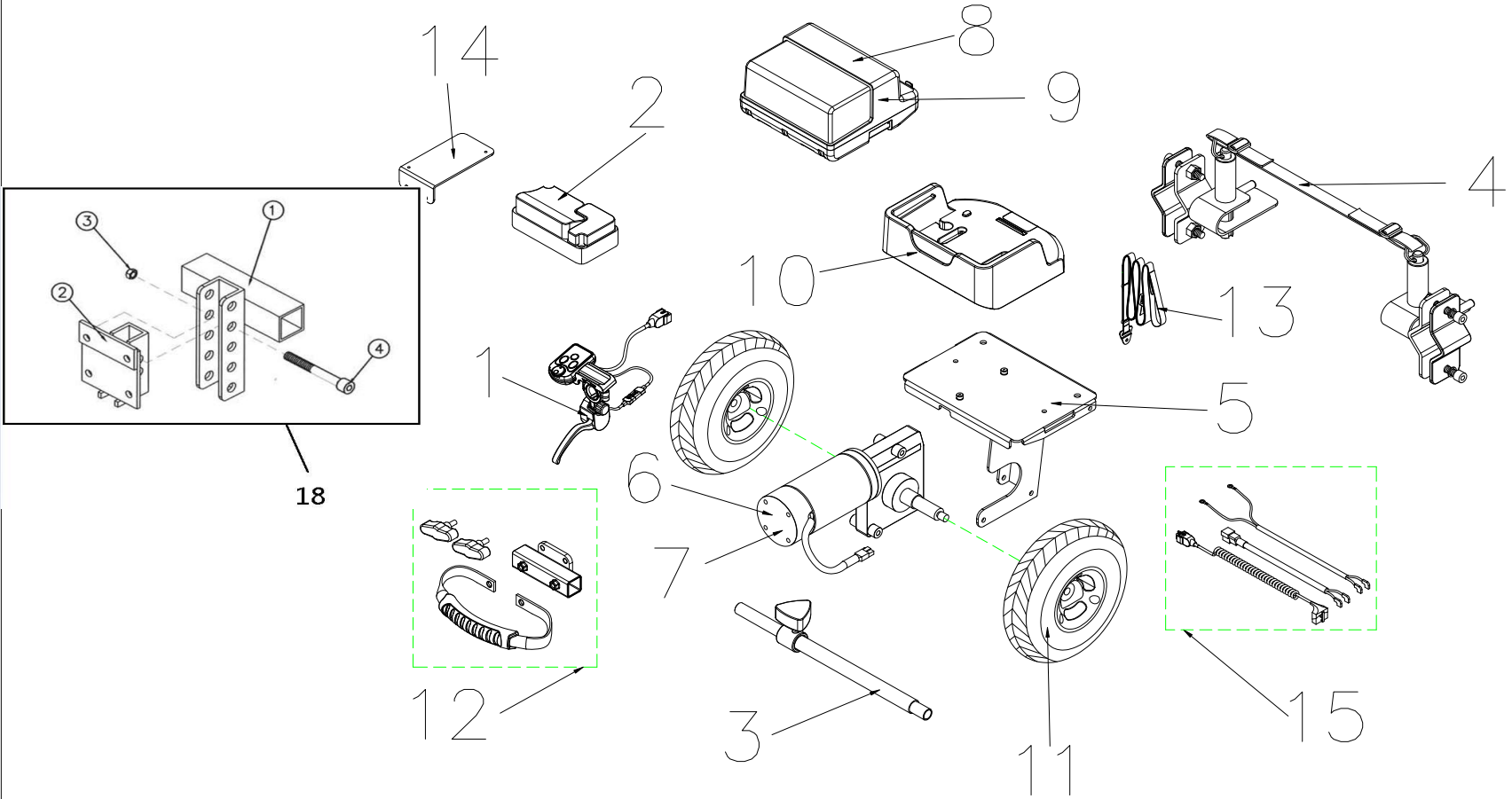


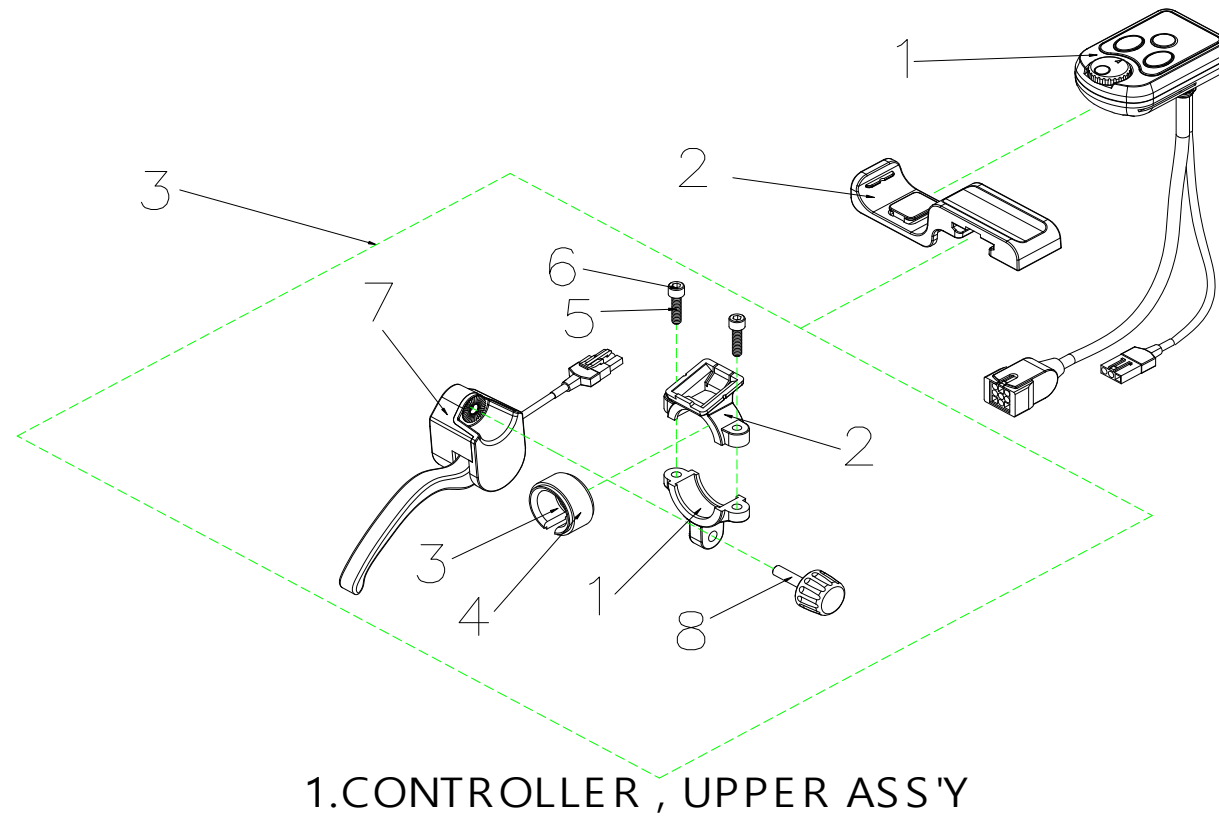
PS-HA Parts List (2015/12/08)



PS-HA Parts List (2015/12/08)

Fig&Index NO.	Parts No.	Parts Name	QTY/CAR	UNIT PRICE	Remark
1		CONTROLLER, UPPER ASS'Y	1 SET		
2	1905634	CONTROLLER, P&G 45A	1		
3		TELESCOPIC BAR ASS'Y	1 SET		
4		BRACKET ASS'Y	1 SET		
5	1909580	MOTOR HOLDER ASS'Y	1 SET		
6	1907663	GEAROX ASS'Y (W/I MOTOR BOLT)-DUAL WHEEL, 150W5300RPM/25 : 1	1 SET		
7	1909579	GEAROX ASS'Y (W/I MOTOR BOLT)-DUAL WHEEL , 200W5300RPM/25 : 1	1 SET		
8		BATTERY BOX ASS'Y, W/I BATTERY	1 SET		
9		BATTERY BOX ASS'Y, W/O BATTERY	1 SET		
10		BATTERY TRAY ASS'Y	1 SET		
11	1904201	TIRE , 200x50	1		
12		MOTOR STRAP ASS'Y	1 SET		
13	1909202	LIFT-UP STRAP ASS'Y	1 SET		
14	1909581	CONTROLLER HOLD ASS'Y	1 SET		
15	1909582	PS-HA WIRE HARNESS ASS'Y	1 SET		
16		ACCESSORIES			
17		LABEL ACCESSORIES			
18		HEIGHT ADJUSTMENT	1 SET		

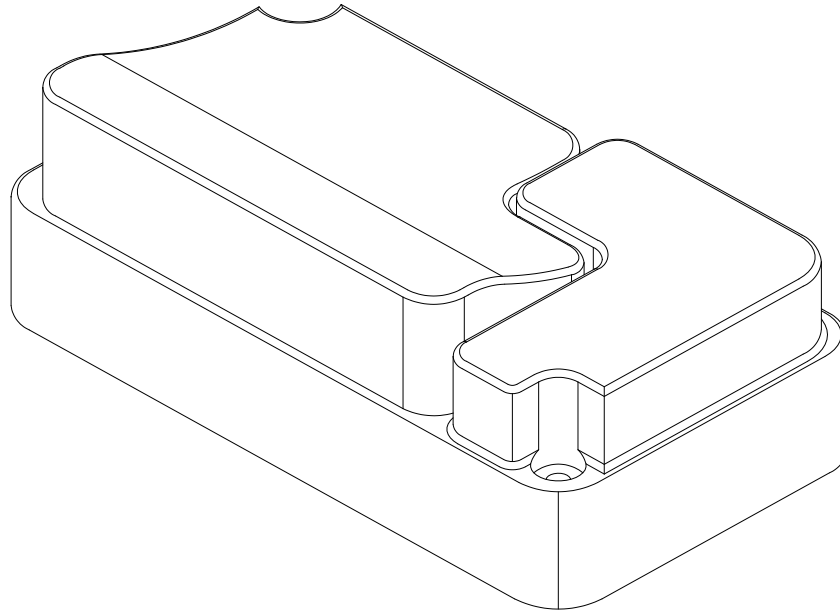
PS-HA Parts List (2015/12/08)



PS-HA Parts List (2015/12/08)

Fig&Index NO.	Parts No.	Parts Name	QTY/CAR	UNIT PRICE	Remark
1	1906081	CONTROLLER , UPPER ASS'Y	1 SET		
1-1	1906663	CONTROLLER UPPER HANDSET	1		
1-2	1906572	HOLDER, CONTROLLER UPPER HANDSET	1		
1-3	1906664	SPEED DIAL ASS'Y	1 SET		
1-3-1	1907347	BRACKET, HANDLEBAR - UPPER	1		
1-3-2	1907348	BRACKET, HANDLEBAR - LOWER	1		
1-3-3	1907497	O-RING22.5	1		
1-3-4	1907498	O-RING25.4	1		
1-3-5		HEXAGON BOLT, M5x25L	2		
1-3-6		HEXAGON BOLT, M5x20L	2		
1-3-7		SPEED DIAL CASE	1		
1-3-8	1908709	BOLT, SPEED DIAL CASE	1		

PS-HA Parts List (2015/12/08)

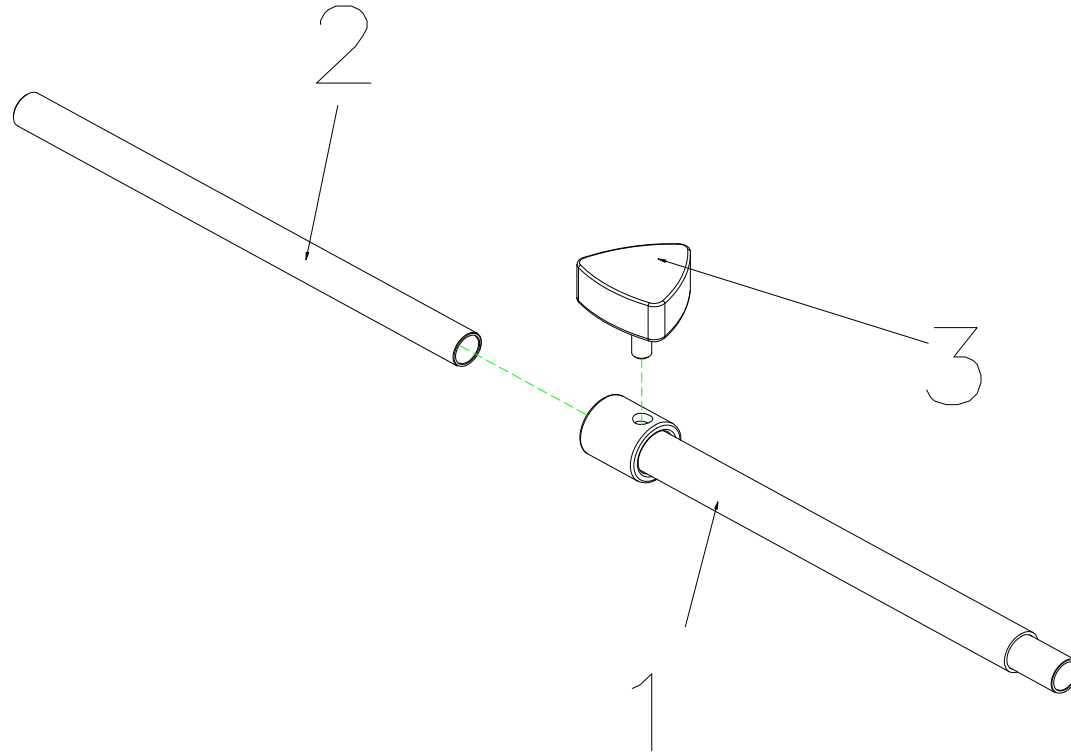


**2.CONTROLLER ,
P&G 45A**

PS-HA Parts List (2015/12/08)

Fig&Index NO.	Parts No.	Parts Name	QTY/CAR	UNIT PRICE	Remark
2	1905634	CONTROLLER, P&G 45A	1		

PS-HA Parts List (2015/12/08)

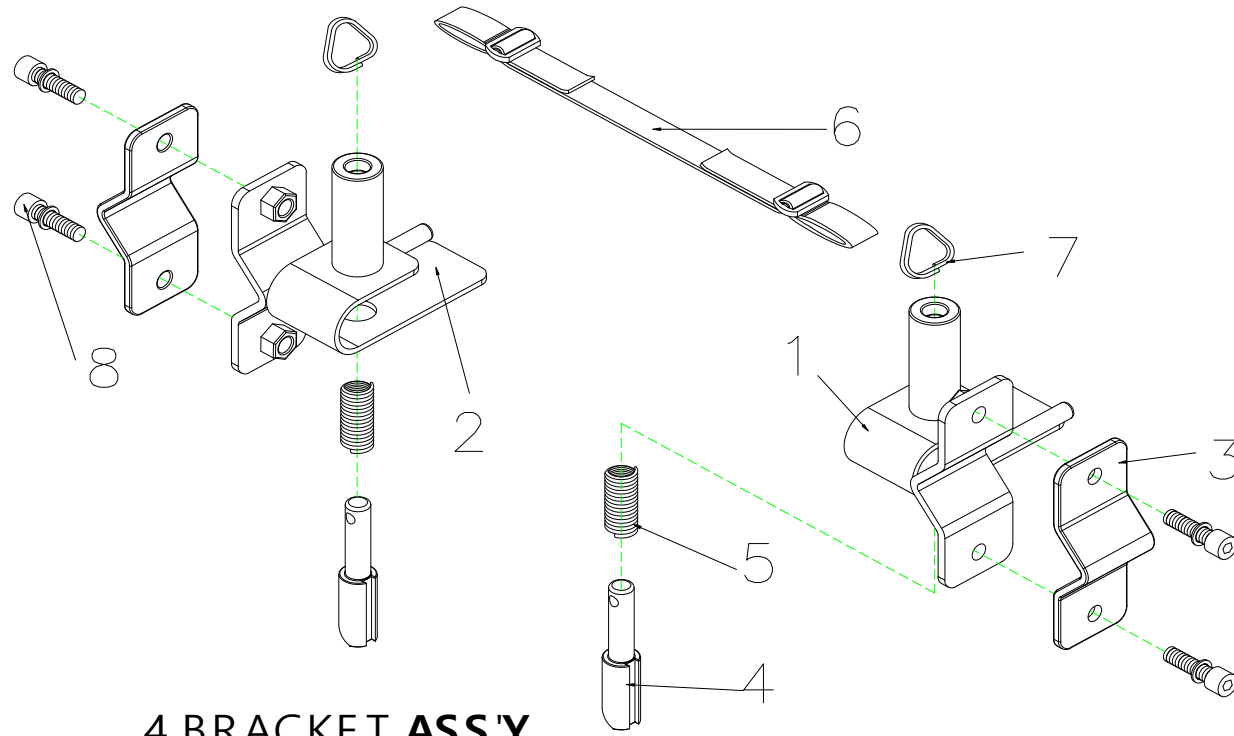


3. TELESCOPIC BAR ASS'Y

PS-HA Parts List (2015/12/08)

Fig&Index NO.	Parts No.	Parts Name	QTY/CAR	UNIT PRICE	Remark
3	1903116	TELESCOPIC BAR ASS'Y	1 SET		
3-1		TELESCOPIC BAR, OUTER TUBE	1		
3-2		TELESCOPIC BAR, INNER TUBE	1		
3-3		BOLT,W/I KNOB,M8x25	1		

PS-HA Parts List (2015/12/08)

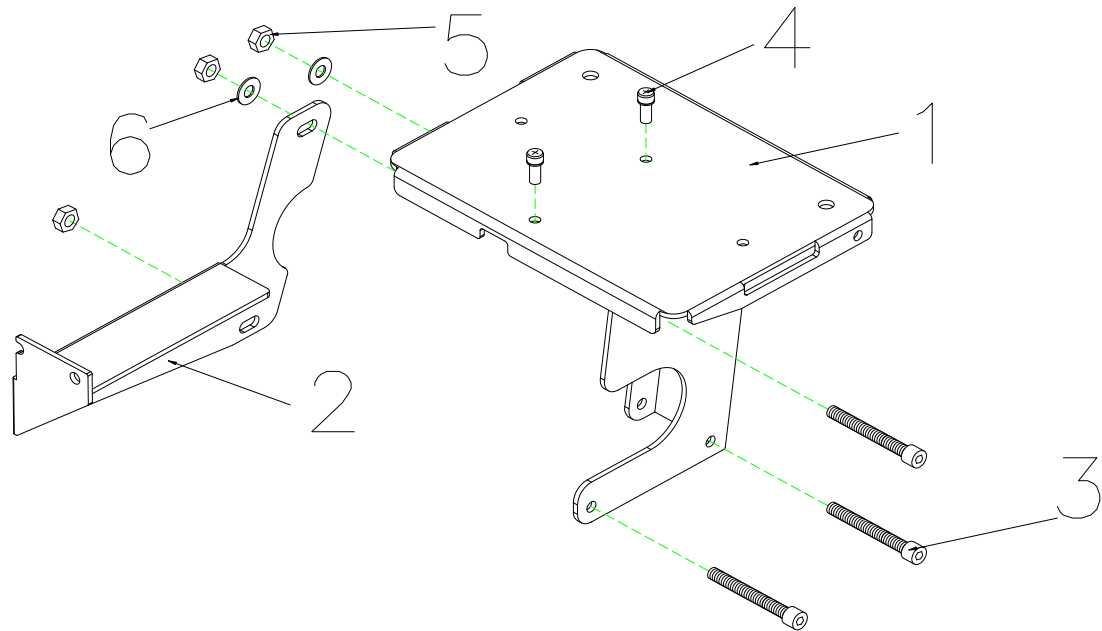


4. BRACKET ASS'Y

PS-HA Parts List (2015/12/08)

Fig&Index NO.	Parts No.	Parts Name	QTY/CAR	UNIT PRICE	Remark
4	1903244	BRACKET ASS'Y	1 SET		
4-1		BRACKET LEFT	1		
4-2		BRACKET RIGHT	1		
4-3		SPRUNG CLIP	2		
4-4	1909596	OUTER BRACKET	2		
4-5		SPRING.(SWT ψ 0.9X ψ 10X26L)	2		
4-6		STRAP VELCRO SET	1		
4-7	1911987	SPRING	2		
4-8		HEXAGON BOLT,M6x30	4		

PS-HA Parts List (2015/12/08)

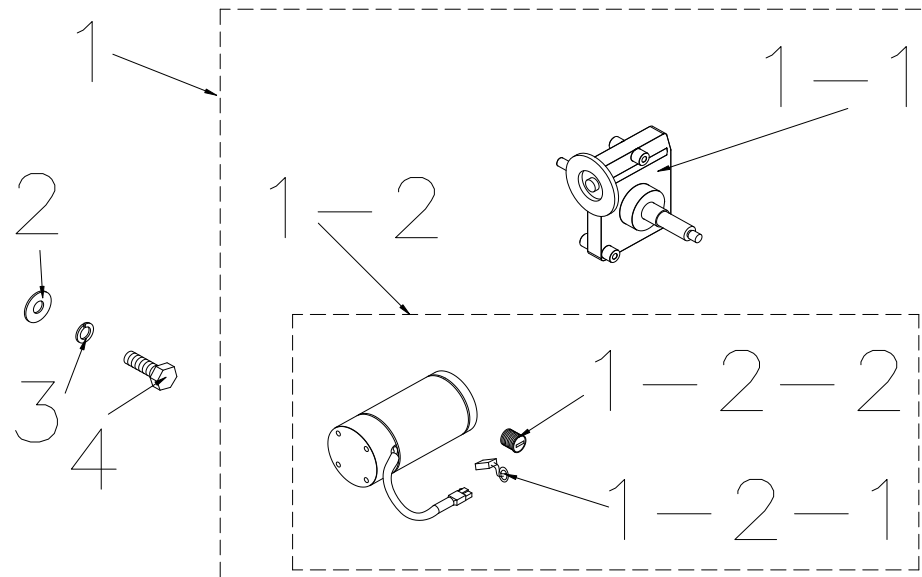


5.MOTOR HOLDER ASS'Y

PS-HA Parts List (2015/12/08)

Fig&Index NO.	Parts No.	Parts Name	QTY/CAR	UNIT PRICE	Remark
5	1909580	MOTOR HOLDER ASSY	1 SET		
5-1		MOTOR PLATE	1		
5-2		MOTOR HOLDER	1		
5-3		HEXAGON BOLT,M6xP1.0x60L	3		
5-4		BOLT,M4x12	2		
5-5		LOCK NUT,M6x1.0	3		
5-6		WASHER,M6	2		

PS-HA Parts List (2015/12/08)

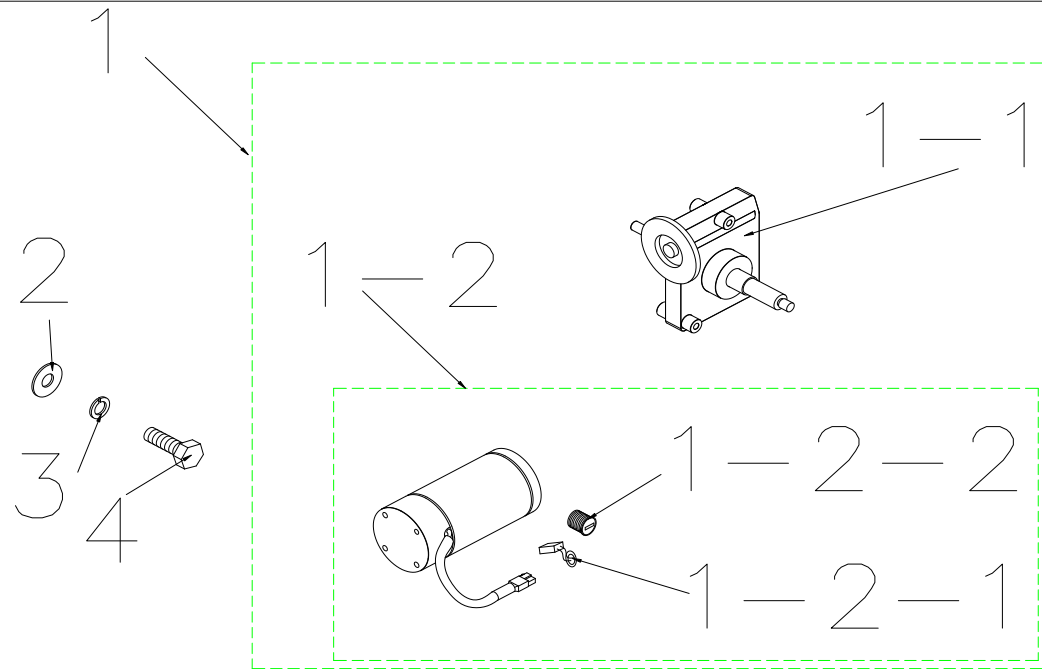


6.GEARBOX ASS'Y(W/ MOTOR BOLT) -SINGLE WHEEL

PS-HA Parts List (2015/12/08)

Fig&Index NO.	Parts No.	Parts Name	QTY/CAR	UNIT PRICE	Remark
6		GEAROX ASS'Y (W/I MOTOR BOLT)-DUAL WHEEL, 150W5300RPM/25 : 1	1 SET		
6-1					
6-1	1907663	GEAROX ASS'Y (W/I MOTOR BOLT)-DUAL WHEEL , 150W5300RPM/25 : 1	1		
6-1-1	1906185	GEARBOX ONLY(W/O MOTOR)-DUAL WHEEL	1		
6-1-2	1904374	MOTOR ONLY HD			
6-1-2	1909231	MOTOR ONLY,150W5300RPM	1		
6-1-2-1		CARBON BRUSH,7x11mm	1		
6-1-2-2		CARBON BRUSH CAP.7x11mm	1		
6-2		WASHER,5/16	2		
6-3		SPRING WASHER,5/16	2		
6-4		HEXFLANGE BOLT M8xP1.25x20L	2		

PS-HA Parts List (2015/12/08)

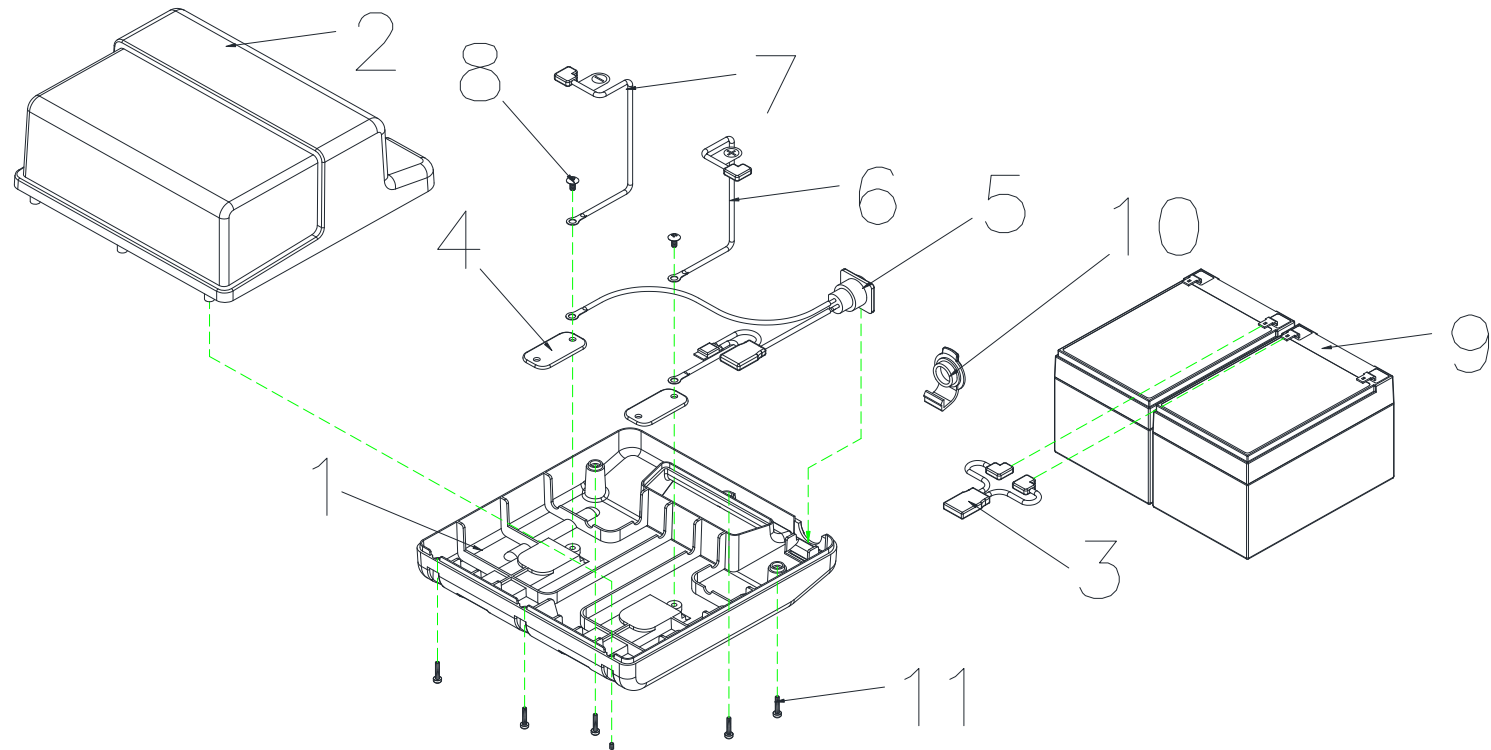


7.GEARBOX ASS'Y(W/ MOTOR BOLT) -DUAL WHEEL (200W5300RPM/25:1)

PS-HA Parts List (2015/12/08)

Fig&Index NO.	Parts No.	Parts Name	QTY/CAR	UNIT PRICE	Remark
7	1909579	GEAROX ASS'Y (W/I MOTOR BOLT)-DUAL WHEEL , 200W5300RPM/25 : 1	1 SET		
7-1		GEAROX ASS'Y (W/I MOTOR BOLT)-DUAL WHEEL , 200W5300RPM/25 : 1	1		
7-1-1	1906185	GEARBOX ONLY(W/O MOTOR)-DUAL WHEEL	1		
7-1-2	1904374	MOTOR ONLY,200W5300RPM	1		
7-1-2-1	1904400	CARBON BRUSH,7x11mm	1		
7-1-2-2	1904401	CARBON BRUSH CAP,7x11mm	1		
7-2		WASHER,5/16	2		
7-3		SPRING WASHER,5/16	2		
7-4		HEXFLANGE BOLT M8xP1.25x20L	2		

PS-HA Parts List (2015/12/08)

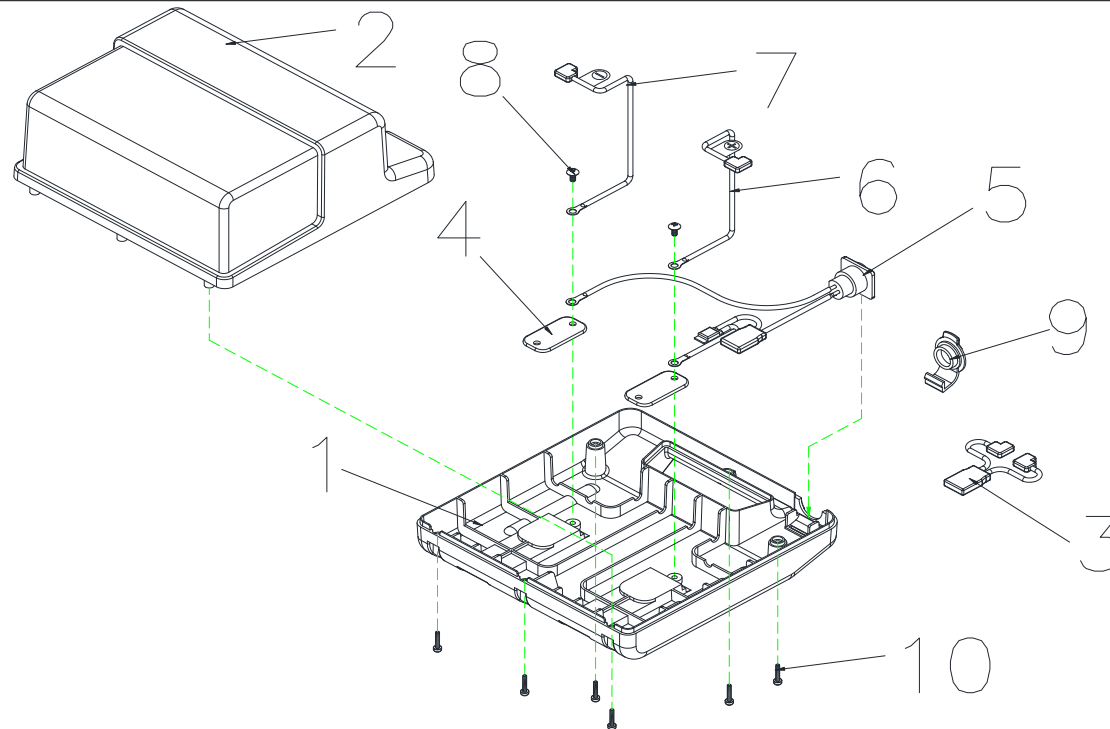


8.BATTERY BOX ASS'Y W/I BATTERY

PS-HA Parts List (2015/12/08)

Fig&Index NO.	Parts No.	Parts Name	QTY/CAR	UNIT PRICE	Remark
8	1906219	BATTERY BOX ASS'Y , W/I BATTERY	1 SET		
8-1		BATTERY COVER , LOWER	1		
19	1908791	BATTERY COVER , UPPER	1		
8-3	1904887	BATTERY CABLE	1		
8-4		COPPER PIECE,BATTERY PLANK	2		
8-5	1909192	CHARGE CABLE	1		
8-6	1904889	BATTERY CABLE (+)	1		
8-7	1904888	BATTERY CABLE (-)	1		
8-8		BOLT , M4x8L	2		
8-9		BATTERY ,12AH	2		
8-10	1912167	COVER,CHARGE	1		
8-11	1916921	BOLT , M3.5x15L	6		
8-12		PLUG	2		

PS-HA Parts List (2015/12/08)

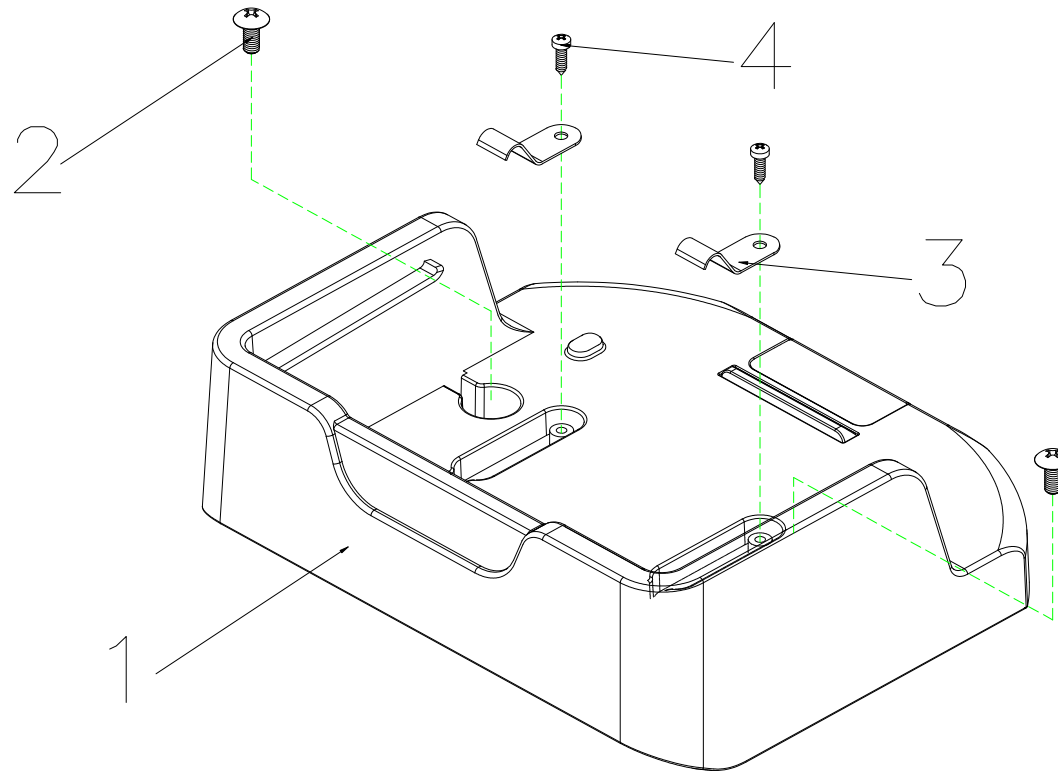


9.BATTERY BOX ASS'Y W/O BATTERY

PS-HA Parts List (2015/12/08)

Fig&Index NO.	Parts No.	Parts Name	QTY/CAR	UNIT PRICE	Remark
9		BATTERY BOX ASS'Y , W/O BATTERY	1 SET		
9-1		BATTERY COVER , LOWER	1		
9-2		BATTERY COVER , UPPER	1		
9-3		BATTERY CABLE	1		
9-4		COPPER PIECE ,BATTERY PLANK	2		
9-5		CHARGE CABLE	1		
9-6		BATTERY CABLE (+)	1		
9-7		BATTERY CABLE (-)	1		
9-8		BOLT , M4x8L	2		
9-9		COVER ,CHARGE	1		
9-10	1916921	BOLT , M3.5x15L	6		
9-11		PLUG	2		

PS-HA Parts List (2015/12/08)

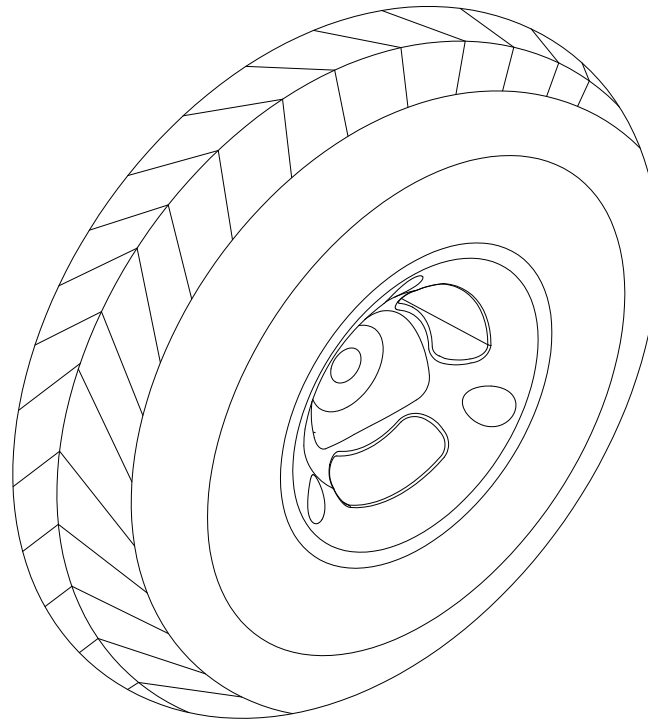


10.BATTERY TRAY ASS'Y

PS-HA Parts List (2015/12/08)

Fig&Index NO.	Parts No.	Parts Name	QTY/CAR	UNIT PRICE	Remark
10	1906220	BATTERY TRAY ASSY	1 SET		
10-1		BATTERY TRAY	1		
10-2		BOLT , M6x15L	2		
10-3	1997170	U-TYPE SPRING NUT	2		
10-4		BOLT , M4x8L	2		

PS-HA Parts List (2011/09/22)

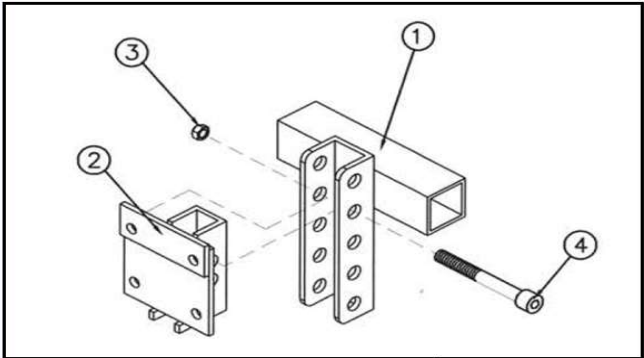


11.TIRE,200x50

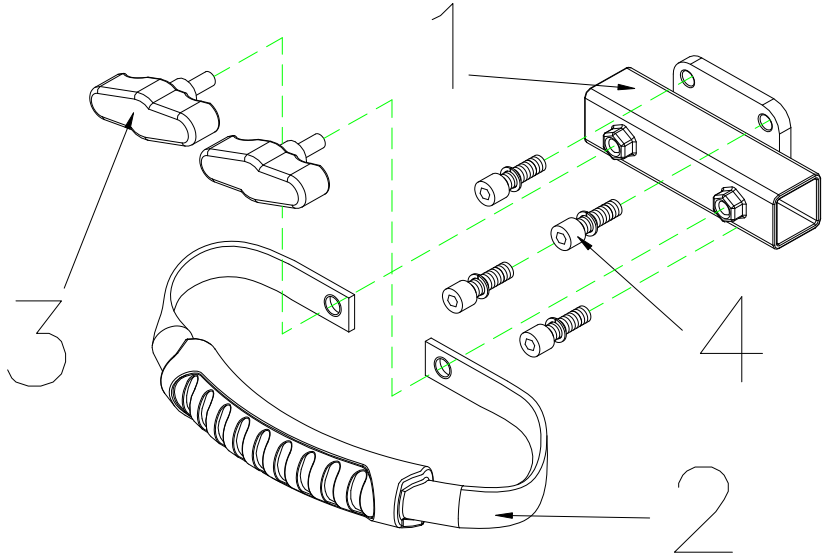
PS-HA Parts List (2015/12/08)

Fig&Index NO.	Parts No.	Parts Name	QTY/CAR	UNIT PRICE	Remark
11	1904201	wheel , 200x50 1910703 Tire 200X 50	1		

PS-HA Parts List (2015/12/08)



18

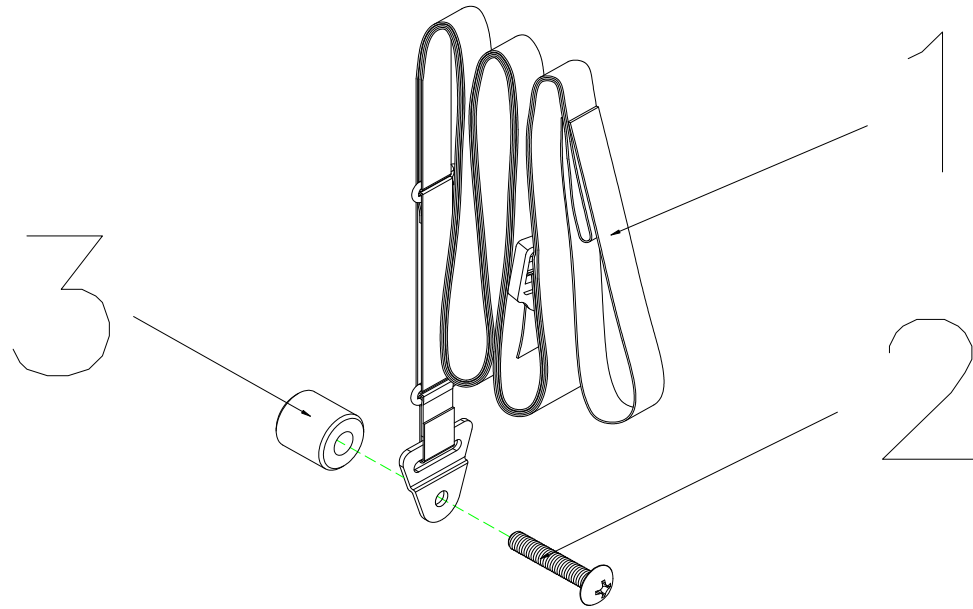


12.MOTOR STRIP ASS'Y

PS-HA Parts List (2015/12/08)

Fig&Index NO.	Parts No.	Parts Name	QTY/CAR	UNIT PRICE	Remark
12	1910358	MOTOR STRAP ASS'Y	1 SET		
12-1		MOTOR CROWN BRACKET	1		
12-2	1905103	MOTOR STRAP	1		
12-3	1907141	QUICK RELEASE SCREW	2		
12-4		HEXAON BOLT , M6x20L	4		
18		HEIGHT ADJUSTMENT HOLDER ASS'Y	1 SET		
18-1		HEIGHT ADJUSTMENT HOLDER, UPPER	1		
18-2	1913769	HEIGHT ADJUSTMENT HOLDER, LOWER	1		
18-3		BOLT, M8 x P1025 x 40L	1		
18-4		LOCK NUT, M8x1.25	1		

PS-HA Parts List (2015/12/08)

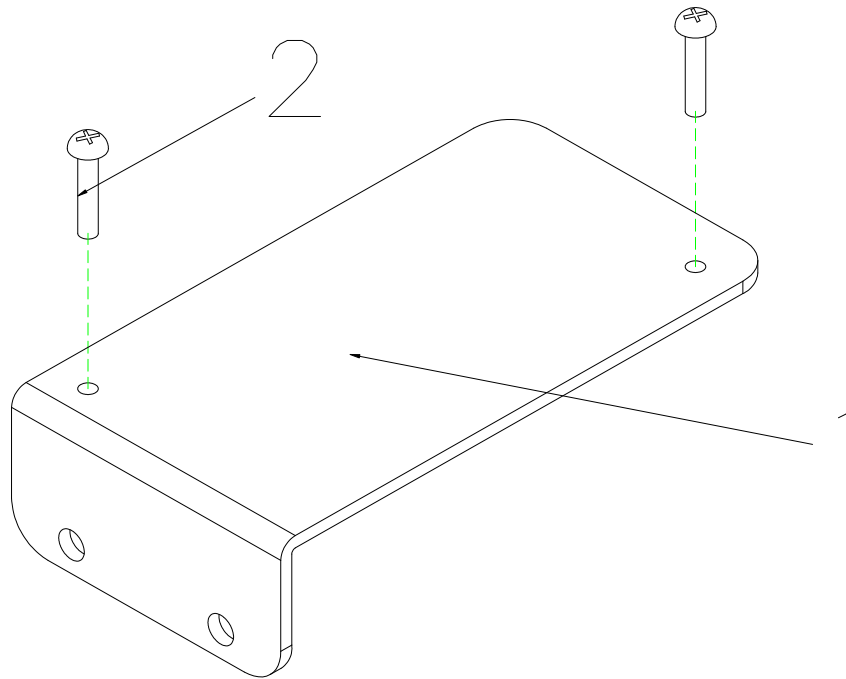


13.LIFT-UP STRAP ASS'Y

PS-HA Parts List (2015/12/08)

Fig&Index NO.	Parts No.	Parts Name	QTY/CAR	UNIT PRICE	Remark
13	1903112	LIFT-UP STRAP ASS'Y	1 SET		
13-1		LIFT-UP STRAP	1		
13-2		BOLT , M6x35L	1		
13-3	1909607	SPACER 19x8x20L	1		

PS-HA Parts List (2015/12/08)

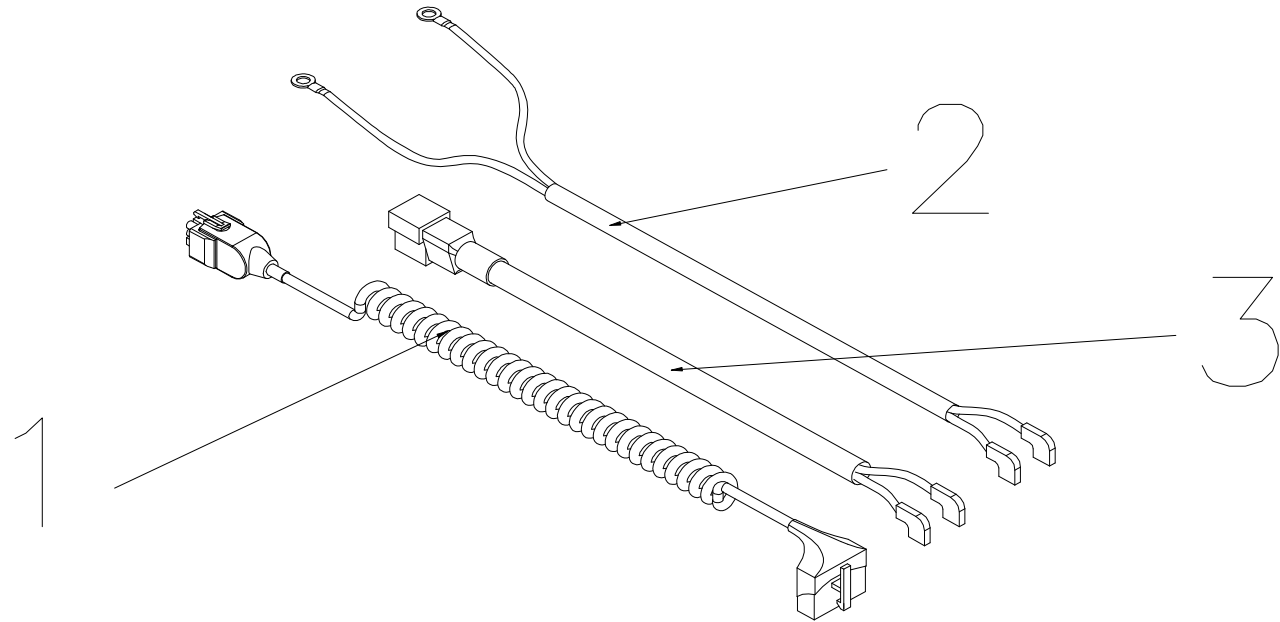


14.MOTOR STRIP ASS'Y

PS-HA Parts List (2015/12/08)

Fig&Index NO.	Parts No.	Parts Name	QTY/CAR	UNIT PRICE	Remark
14		CONTROLLER HOLD ASS'Y	1 SET		
14-1	1908590	CONTROLLER HOLD	1		
14-2		BOLT M4x25L	2		

PS-HA Parts List (2015/12/08)



15. WIRE HARNESS ASS'Y

PS-HA Parts List (2015/12/08)

Fig&Index NO.	Parts No.	Parts Name	QTY/CAR	UNIT PRICE	Remark
15	1909582	PS-HA WIRE HARNESS ASSY	1 SET		
15-1	1907420	WIRE HARNESS FOR PS-HA	1		
15-2	19155604	POWER STROLL CABLE FOR P&G CONTROLLER	1		
15-3		MOTOR CABLE FOR P&G CONTROLLER	1		

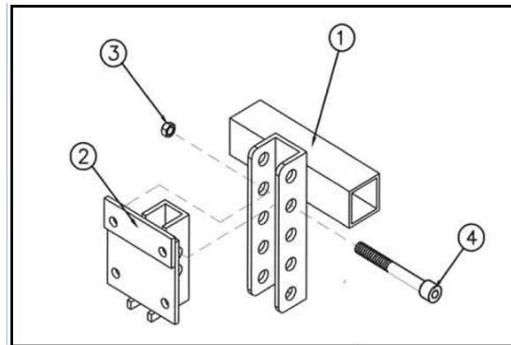
PS-HA Parts List (2015/12/08)

Fig&Index NO.	Parts No.	Parts Name	QTY/CAR	UNIT PRICE	Remark
16		ACCESSORIES			
16-1		POWERSTROLL SET BAG	1		
16-2		ALLEN KEY	1		
16-4		OWNER'S MANUAL, BE 01	1		
16-9		CARTON, BE 01	1		
16-14		CHARGER,CTE 1.8A OFF BOARD	1		

PS-HA Parts List (2015/12/08)

Fig&Index NO.	Parts No.	Parts Name	QTY/CAR		Remark
		English		BE 01	
17		LABEL ACCESSORIES			
17-2	S27-058-00200	LABEL SET , BE 01	1	0,93	
17-2-1	C27-034-02800	LABEL , CHARGE WARING	1	0,13	
17-2-2	C27-058-00100	LABEL , LOGO , BE 01	1	0,8	

PS-HA Parts List (2016/6/03)



18

Fig&Index NO.	Parts No.	Parts Name	QTY/CAR	UNIT PRICE	Remark
18	1907487	HEIGHT ADJUSTMENT ASS'Y	1SET		
18-1	1918025	HEIGHT ADJUSTMENT HOLDER, UPPER	1		
18-2	1913769	HEIGHT ADJUSTMENT HOLDER, LOWER	1		1913769
18-3		BOLT, M8 x P1025 x 40L	1		
18-4		LOCK NUT, M8x1.25	1		