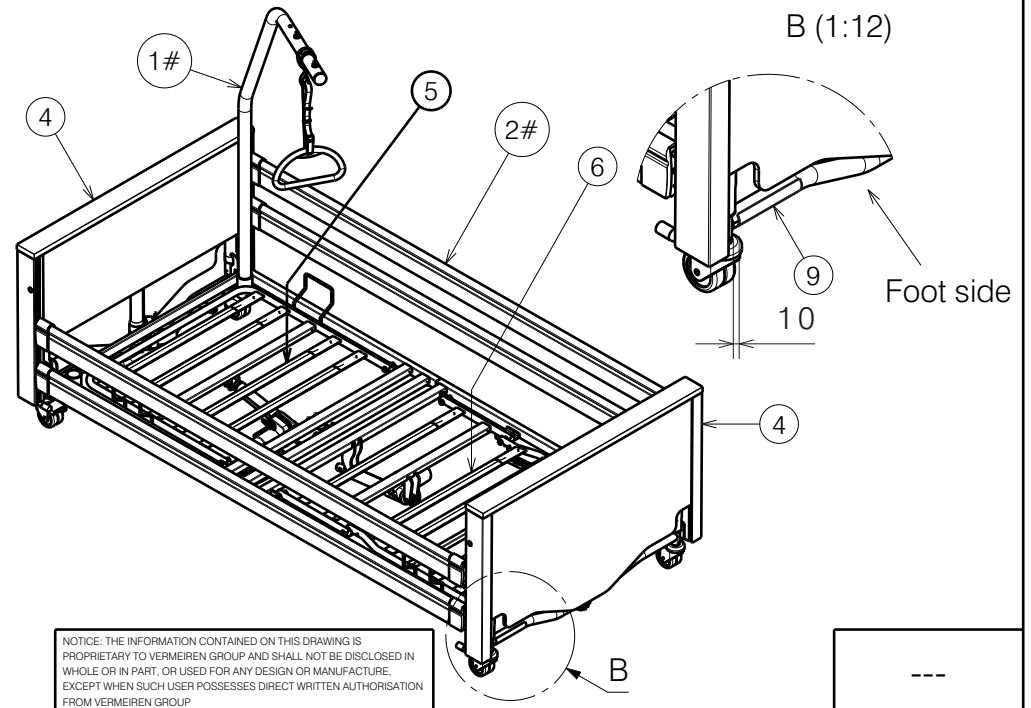
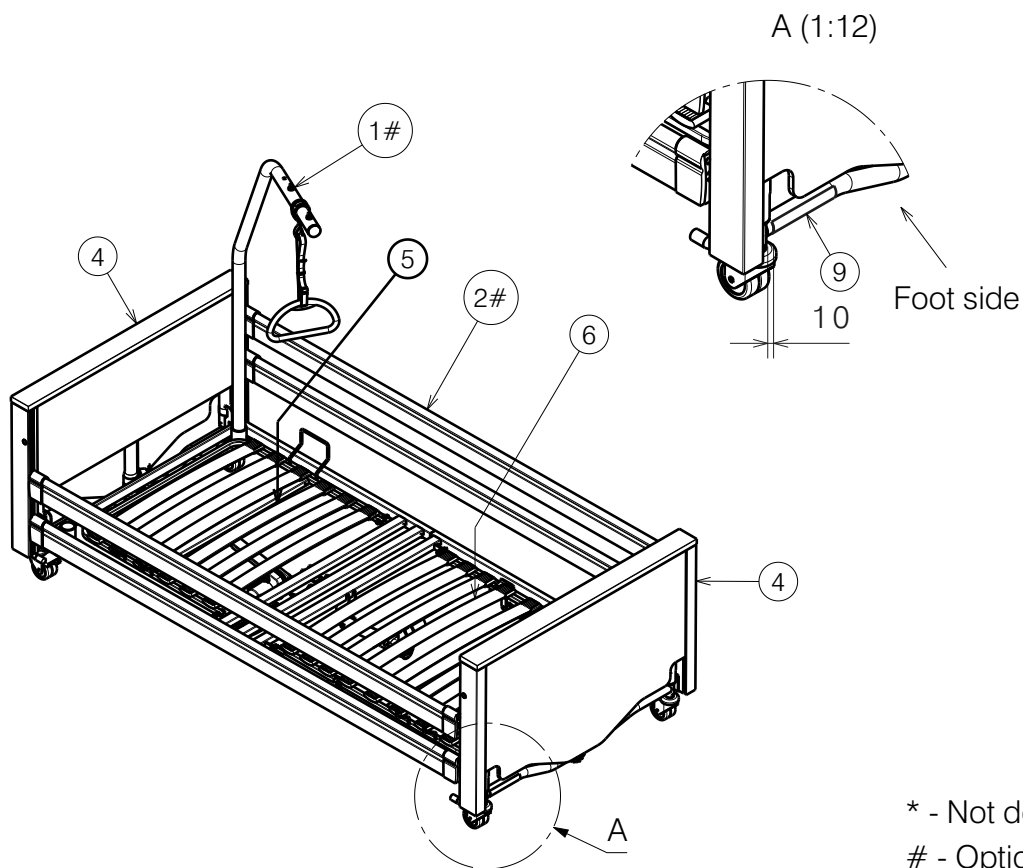


CLUB UL (Wooden Laths)			
No.	Plan	Article	Qty
1#	EP00268 (Self Raising Aid)	2994167	1
2#	EP00220 (Wooden Bars)	2993274	2
3*#	E00055854 (Extension Part Set)	2995841	1
4	E00054787 (Front/Rear Panel)	2995840	2
5	E00046092 (Headrest)	2995642	1
6	E00045756 (Footrest)	2995639	1
7*	E00052584 (Horizontal transport system)	2995842	1
8*#	EP00271 (Serum Holder)	2994093	1
9	Sticker (CLUB UL logo)	T001201	1

CLUB UL (Steel Laths)			
No.	Plan	Article	Qty
1#	EP00268 (Self Raising Aid)	2994167	1
2#	EP00220 (Wooden Bars)	2993274	2
3*#	E00055854 (Extension Part Set)	2995841	1
4	E00054787 (Front/Rear Panel)	2995840	2
5	E00046540 (Headrest)	2995640	1
6	E00046541 (Footrest)	2995641	1
7*	E00052584 (Horizontal transport system)	2995842	1
8*#	EP00271 (Serum Holder)	2994093	1
9	Sticker (CLUB UL logo)	T001201	1



NOTICE: THE INFORMATION CONTAINED ON THIS DRAWING IS PROPRIETARY TO VERMEIREN GROUP AND SHALL NOT BE DISCLOSED IN WHOLE OR IN PART, OR USED FOR ANY DESIGN OR MANUFACTURE, EXCEPT WHEN SUCH USER POSSESSES DIRECT WRITTEN AUTHORISATION FROM VERMEIREN GROUP.

Plan No.
E00055856/C.1

SPECIFICATION / CLUB UL

Scale:	1:25	Drafted	Verified	Confirmed
Date	22.03.2023	12/03/2024	12/03/2024	
Initials	AZ	MK	AZ	



* - Not depicted
- Option