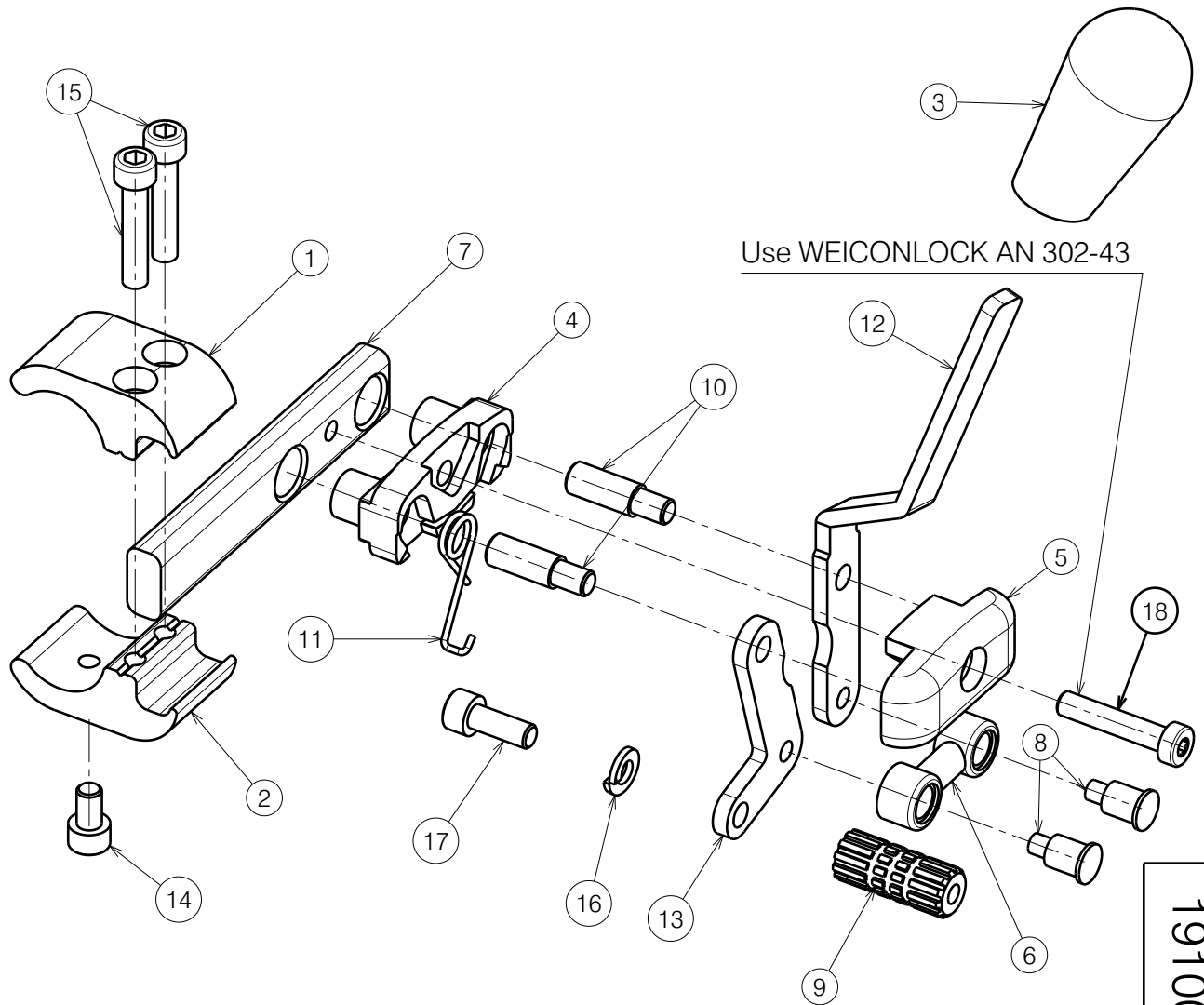


Material			
No.	Plan	Article	Quantity
1	X002115	1552682	1
2	X002116	1552782	1
3	X002134	1992411	1
4	X002139	1992426	1
5	X002140	1992427	1
6	X002141	1992435	1
7	X002155	1552582	1
8	X002165	1488300	2
9	X005274	17937	1
10	X005276	1793900	2
11	X005306	1910033	1
12	Y016715	1735554	1
13	Y020193	1794054	1
14	M6x10 DIN912	1001491	1
15	M6x30 DIN912	1001495	2
16	M6 DIN127	1004414	1
17	M6x16 DIN912	1001492	1
18	M6x30 DIN7984	1992721	1



1910031

E000910 / C

BRAKE RIGHT V-SERIES/ECLIPS				Plan No.
				E000910 / C
Scale: 3:5	Drafted	Verified	Confirmed	
Date	09/01/2014	12/09/2022	12/09/2022	
Initials	SD	AZ	TK	